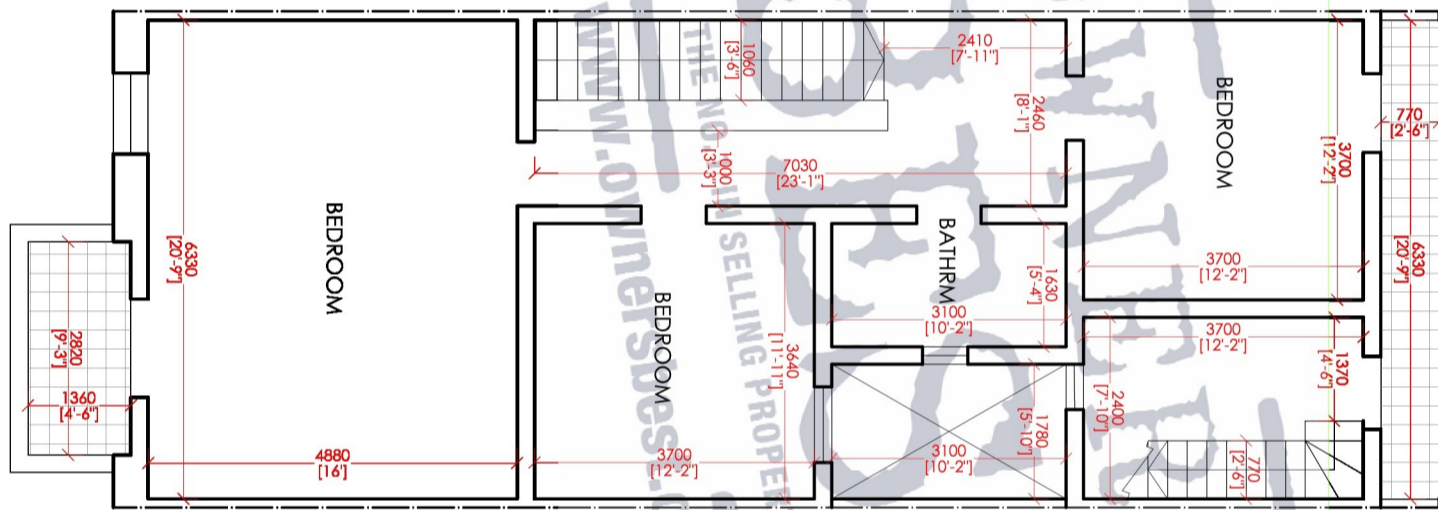
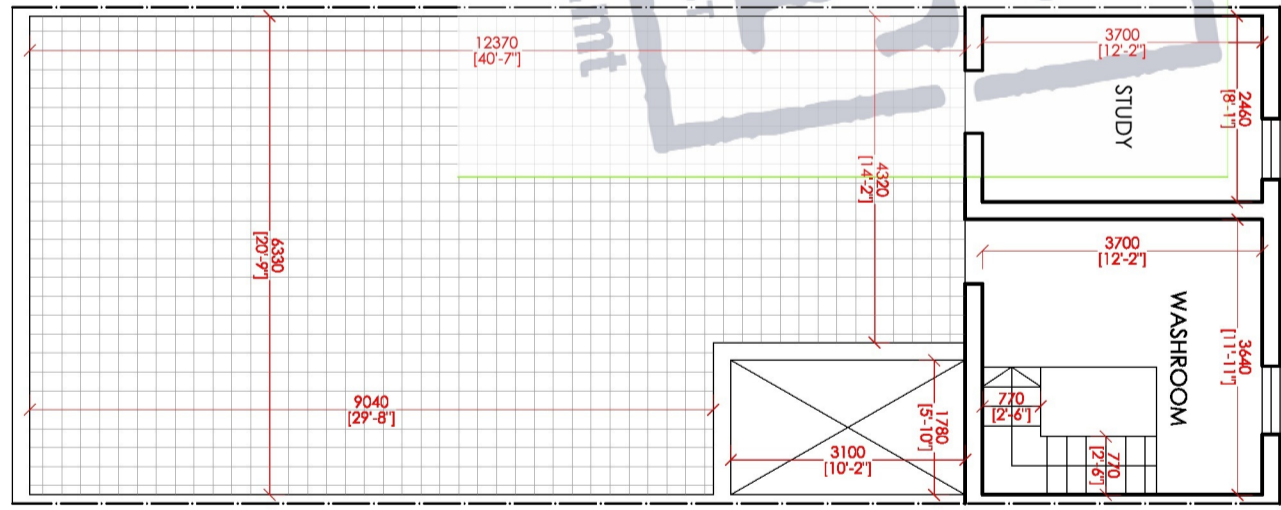


GROUND FLOOR PLAN



FIRST FLOOR PLAN



WASHROOM FLOOR PLAN

Proposed Development	Job Number	570194
Drawing Title	Drawing No.	001
FLOOR PLANS	Scale	1/100
	Date	27-07-2011
	Drawn by	MB
	Checked by	GF

Collaborative Consultants
 Client: OWNERS BEST
 PROJECT AREA: INTERNAL AREA IS 2328sq.m
 CONSTRUCTION: EXTERNAL AREA IS 1398sq.m

GFPA ARCHITECTS
 3c, Trq Il-Galida / Trq Il-Gidja, Swedj
 +356 99821882
 gfgfa1981@gmail.com